

**Notes**

---

---

---

---

---

---

---

---

---

---

**HEADQUARTERS - ITALY**



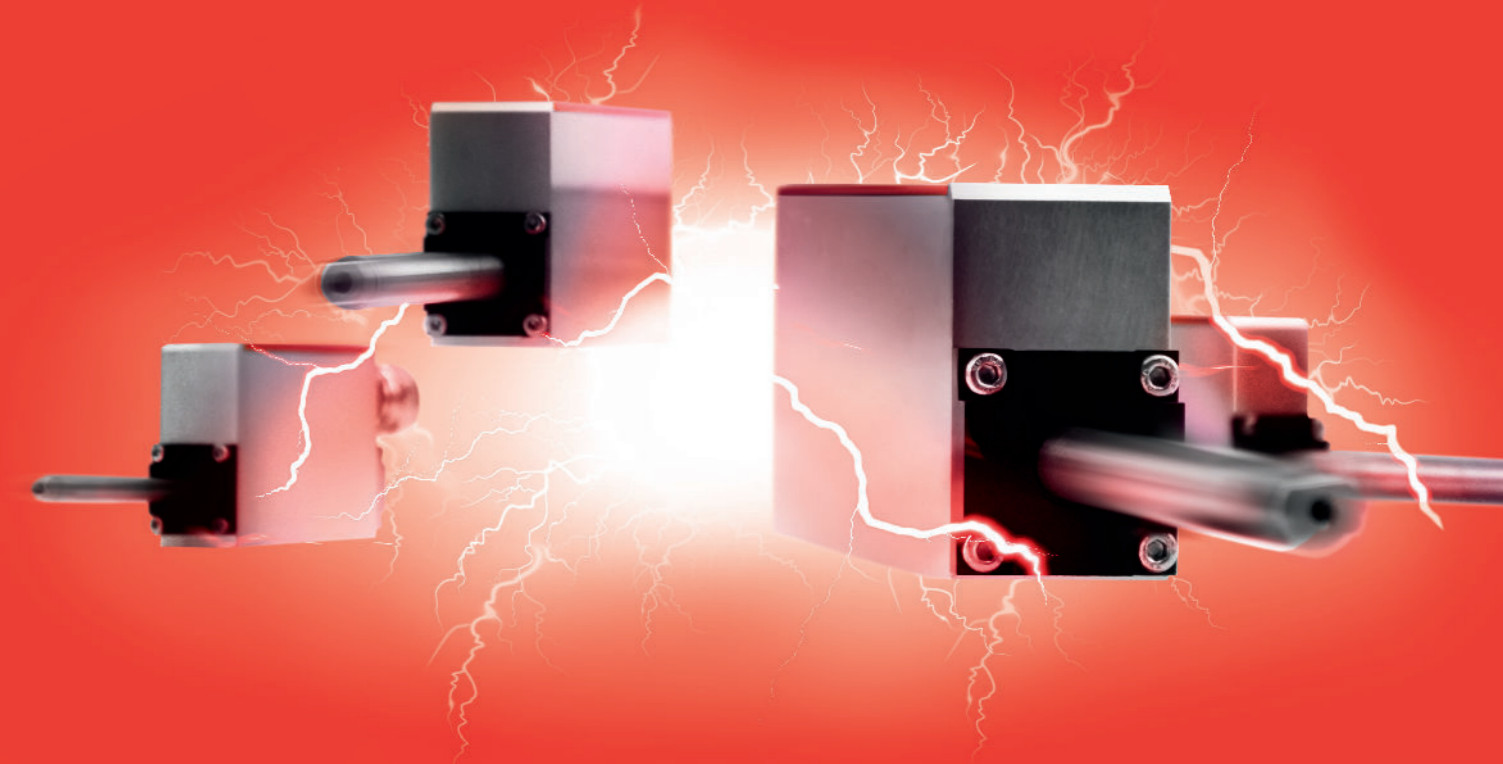
**Servotecnica S.p.A.**  
Via E. Majorana, 4  
20834 Nova Milanese (MB) - Italy  
+39 03624921  
info@servotecnica.com | www.servotecnica.com

**GERMANY**



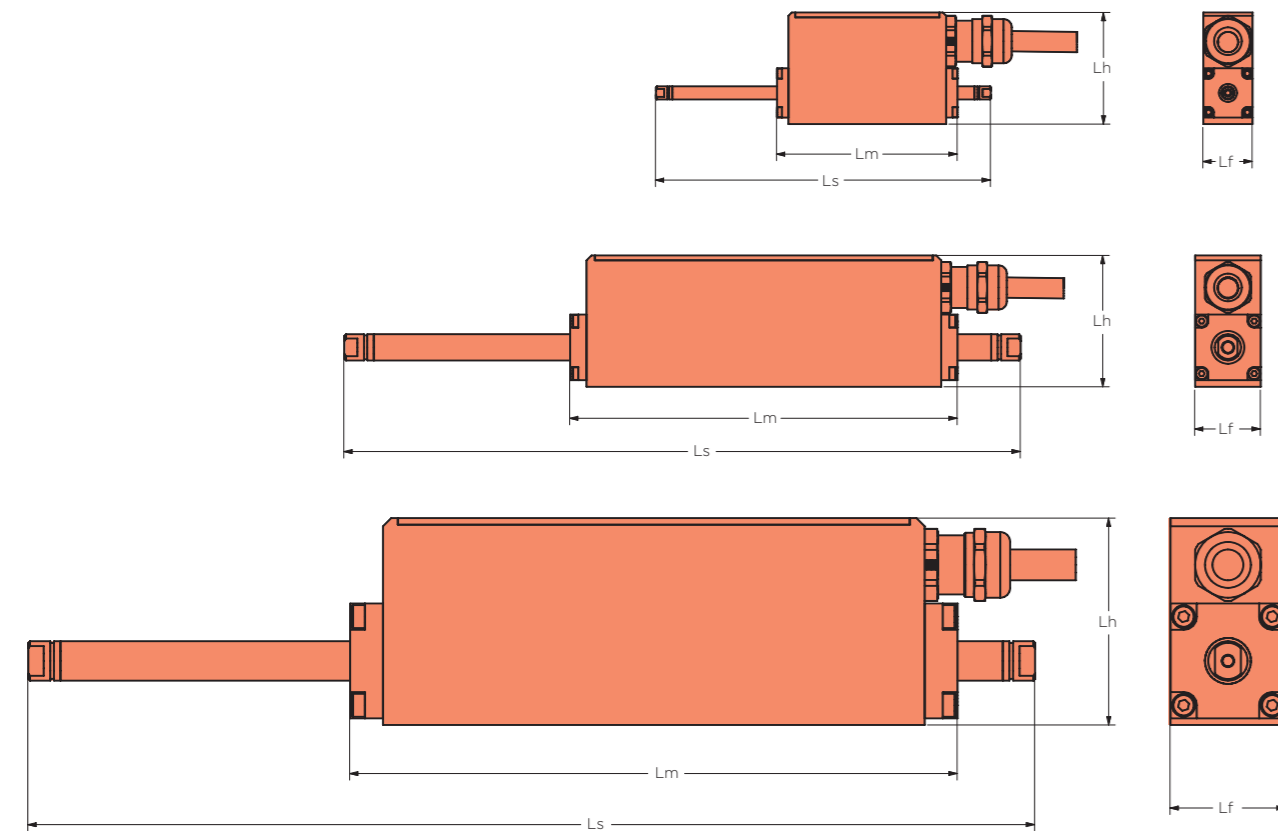
**Servotecnica G.m.b.H.**  
Kelsterbacher Strasse, 20  
65479 Raunheim - Deutschland  
+49 6142-7936039  
info@servotecnica.de | www.servotecnica.de

# ACTUATORS

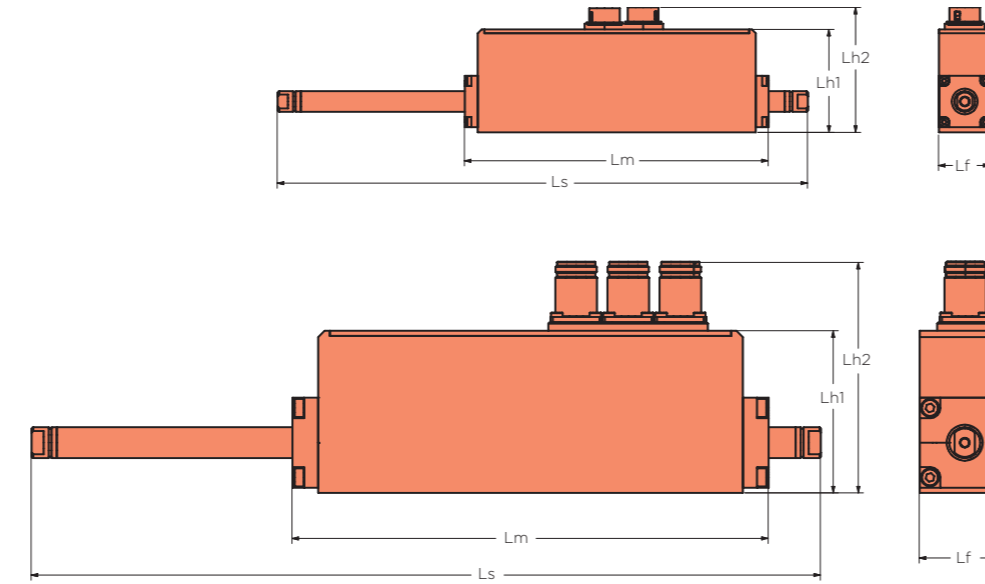


Your local contact

# ACTUATORS



# ACTUATORS WITH INTEGRATED DRIVE



Values	Unit	SVTL A-II-04055	SVTL A-II-04091	SVTL A-II-08118	SVTL A-II-08178	SVTL A-II-12185	SVTL A-II-12305
Rated Force	N	0,64	1,08	5,44	9,8	21	38
Peak Force	N	4,16	7,02	35,36	63,7	138	249
Forcer length [Lm]	mm	55	91	118	178	185	305
Rod length w/o stop [Ls]	mm	55 + stroke	91 + stroke	118 + stroke	178 + stroke	185 + stroke	305 + stroke
Rod weight	g/mm	0,09	0,09	0,35	0,35	0,77	0,77
Rod diameter	mm	4	4	8	8	12	12
Flange (Lf)	mm	15	15	20	20	35	35
Height (Lh)	mm	34	34	40	40	63	63
Pole pitch	mm	18	18	30	30	60	60
Force constant	N/A	2,00	2,00	4,00	4,00	12	12
Rated Current	A	0,32	0,54	1,36	2,448	1,77	3,186
Back EMF	Vrms/m/s	1,155	1,155	2,309	2,312	6,928	6,928
Phase resistance	ohm	15,7	7,85	9,72	4,86	5,96	2,98
Phase inductance	mH	1,2	0,6	1,2	0,6	3,02	1,51
Position repeatability	mm	0,009	0,009	0,015	0,015	0,029	0,029

Values	Unit	SVTL C-II-08118	SVTL C-II-08178	SVTL C-II-12185	SVTL C-II-12305
Rated Force	N	5,44	9,8	21	38
Peak Force	N	35,36	63,7	138	248,508
Forcer length [Lm]	mm	118	178	185	305
Rod length w/o stop [Ls]	mm	118 + stroke	178 + stroke	185 + stroke	305 + stroke
Rod weight	g/mm	0,35	0,35	0,77	0,77
Rod diameter	mm	8	8	12	12
Flange (Lf)	mm	15	15	20	20
Height (Lh1)	mm	40	40	63	63
Height with connectors (Lh2)	mm	49	49	90	90
Pole pitch	mm	30	30	60	60
Force constant	N/A	4,00	4,00	12	12
Rated Current	A	1,36	2,448	1,77	3,186
Back EMF	Vrms/m/s	2,3094	2,3113	6,928	6,928
Phase resistance	ohm	9,72	4,86	5,96	2,98
Phase inductance	mH	1,2	0,6	3,02	1,51
Position repeatability	mm	0,015	0,015	0,029	0,029

## Product code

SVTL ●-◇◇◇-○○◇◇◇-□□□-◇-△-◇-☆☆☆

- Series  
Tubular Actuator [A];  
Tubular Motor [B];  
Tubular Actuator with IE [C];  
Tubular Motor with IE [D];
- ◇ Configuration  
Complete [11]; Forcer only [10]; Rod only [01];
- Rod diameter  
4mm [04]; 8mm [08]; 12mm [12];
- ◇ Forcer length  
55mm [055]; 91mm [091]; 118mm [118];  
178mm [178]; 185mm [185]; 305mm [305]
- Rod length  
ø4: 74mm [074], 92mm [092], 110mm [110],  
128mm [128], 146mm [146], 164mm [164],  
182mm [182], 200mm [200], 218mm [218],  
236mm [236], 254mm [254], 272mm [272],  
290mm [290]  
ø8: 151mm [151], 181mm [181], 211mm [211],  
241mm [241], 271mm [271], 301mm [301],  
331mm [331], 361mm [361], 391mm [391],  
421mm [421], 451mm [451], 481mm [481],  
511mm [511]  
ø12: 245mm [245], 275mm [275], 305mm [305],  
335mm [335], 365mm [365], 395mm [395],  
425mm [425], 455mm [455], 485mm [485],  
515mm [515], 545mm
- ◇ Connection  
Cable [0];  
Connector [1]
- △ Feedback  
Sin Cos [T];  
Sin Cos (no thermal sensor) [S];  
Biss-C [A];  
Incremental AB [E]
- ◇ Rod end  
Female thread [0];  
Male thread [M];  
Male/Male thread [N];  
Female/Female thread [G]
- ◇ Rod through-bore  
Solid [0];  
Hollow shaft [H];
- ☆ Customization

All dimensions in millimeters, unless otherwise specified

v 1.1