

SVTS B Series

Terminals Slip Rings

SVTS B Series

Terminals Slip Rings



IP 65



Long-life



Power & signals



The most compact solution with fibre brush technology.

Thanks to the multiple contact points, the Terminals B Series Slip Rings ensures longer life due to the low contact wear rates, while granting low contact resistance.

Specially designed for intensive use at high speed and to transmit power and sensitive signals, like thermocouple ones, these rotary joints are particularly suitable for use on flowpack packaging machines ensuring a compact and reliable solution; the use of terminals type connectors avoids the use of welds that may affect the reading of thermocouple signals.

Moreover, the IP65 version makes it washable, delivering protection against low pressure jets if watered from all directions.

Benefits

Electrical power & signals in one unit

Compact

Long lifetime

Easy connection (Faston connectors)

Cost-effective

Water resistant (IP65)*

Main applications

Flowpack machines

Process control

Hose & cable reels

Rotating tables

Medical / pharmaceutical

Converting

Packaging

Wind turbines

*Optional

Product code (go to page 9 for the detailed coding system)

SVTS B   -  -  -   /   -     /     -   -   

-  Series
-  Model
-  IP grade¹
-  Flange type
-  Power circuits
-  Signal circuits
-  Cable length (brush side)
-  Cable length (ring side)
-  Temperature range²
-  Special options

¹ IP51 [S]; IP65 [U]

² Standard [ST]; Extended [ET]

Features

| | |
|-----------------------------|--|
| Voltage | |
| Power | 400 VAC / 400 VDC |
| Signals | 240 VAC / 240 VDC |
| Dielectric voltage strength | 500 VAC @ 60 Hz @ 60 sec |
| Insulation resistance | > 1000 MΩ / 500 VDC |
| Dynamic contact resistance | < 10 mΩ |
| Nominal speed | 400 rpm |
| Bearings | High-precision stainless steel ball bearings |
| Housing | ABS; Aluminium; Stainless steel |
| Contact | Gold-gold (B01, B02); precious metals (B03, B04) |
| Temperature | -20°C to +80°C |
| Protection | IP51; IP65* |
| Expected lifetime | 10 ⁸ revolutions (depending on speed, environmental conditions and size) |
| | |
| | |

*Optional

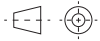
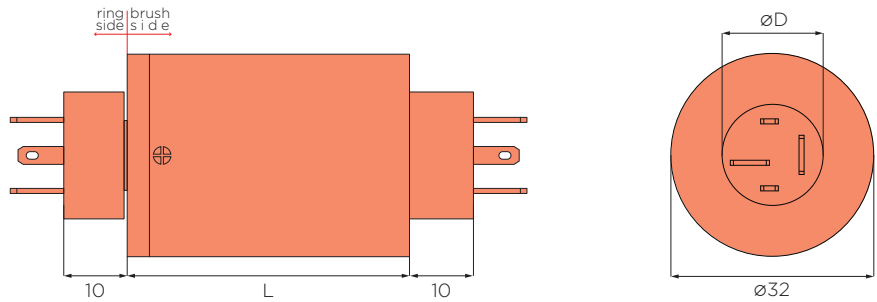
Combinations

| |
|----------|
| Electric |
| Signals |
| Power |
| |

Customizations

| | | |
|--------|-------------------|-----------|
| Cables | Mechanical design | Materials |
| | | |

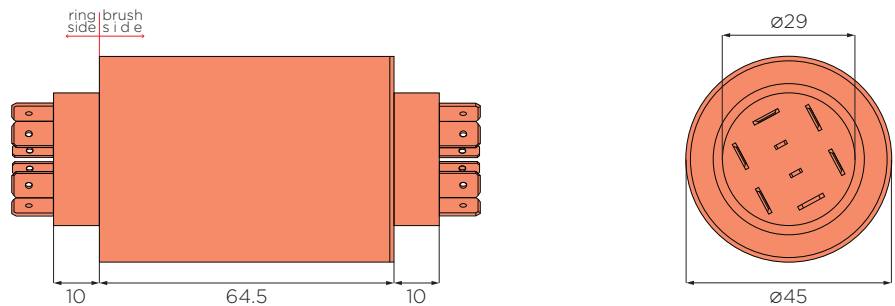
SVTS B 01



| Model | Number of circuits | | | | | Dimensions | | Terminals | |
|---------------------|--------------------|-------|-----|---------|----|------------|------|-----------|---------|
| | Total | Power | | Signals | | D | L | Fastons | |
| | | 14A | 20A | 2A | 5A | | | Power | Signals |
| SVTS B 01-S-A-02/00 | 2 | 2 | - | - | - | 16 | 28 | 0.8x6.3 | - |
| SVTS B 01-S-A-03/00 | 3 | 3 | - | - | - | 16 | 28 | 0.8x6.3 | - |
| SVTS B 01-S-A-02/02 | 4 | 2 | - | 2 | - | 16 | 28 | 0.8x6.3 | 0.8x2.8 |
| SVTS B 01-U-A-02/00 | 2 | - | 2 | - | - | 20 | 44.5 | 0.8x6.3 | 0.8x2.8 |
| SVTS B 01-U-A-03/00 | 3 | - | 3 | - | - | 20 | 44.5 | 0.8x6.3 | 0.8x2.8 |
| SVTS B 01-U-A-02/02 | 4 | - | 2 | - | 2 | 20 | 44.5 | 0.8x6.3 | 0.8x2.8 |
| SVTS B 01-U-A-02/03 | 5 | - | 2 | - | 3 | 20 | 44.5 | 0.8x6.3 | 0.8x2.8 |

IP65

SVTS B 02



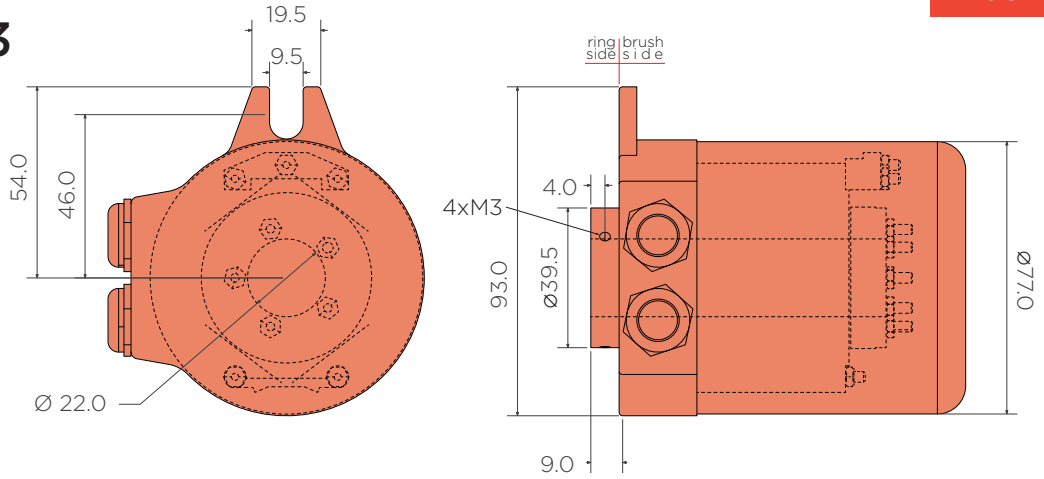
| Model | Number of circuits | | | | | Terminals | |
|---------------------|--------------------|-------|-----|---------|----|-----------|---------|
| | Total | Power | | Signals | | Fastons | |
| | | 14A | 20A | 2A | 5A | Power | Signals |
| SVTS B 02-S-A-06/00 | 6 | - | 6 | - | - | 0.8x6.3 | - |
| SVTS B 02-S-A-06/02 | 8 | - | 6 | - | 2 | 0.8x6.3 | 0.8x2.8 |
| | | | | | | | |
| | | | | | | | |
| | | | | | | | |
| | | | | | | | |

All dimensions in millimeters, unless otherwise specified

+NEW

SVTS B 03

B Series

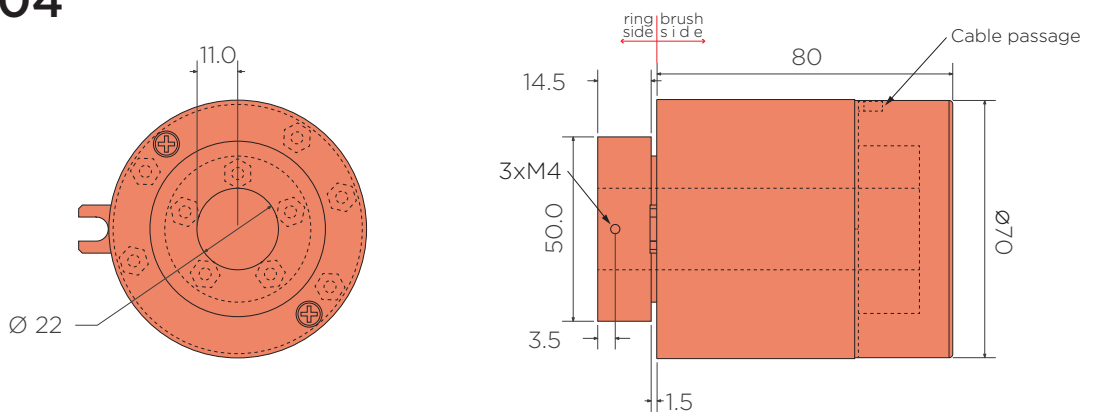


IP65 once installed

| Model | Number of circuits | | Power | | Terminals Screw connections |
|---------------------|--------------------|--|-------|----|--------------------------------|
| | Total | | 20A | 2A | |
| SVTS B 03-U-A-02/00 | 2 | | 2 | - | 2xM5 |
| SVTS B 03-U-A-03/00 | 3 | | 3 | - | 3xM5 |
| SVTS B 03-U-A-02/02 | 4 | | 2 | 2 | 4xM5 |
| SVTS B 03-U-A-03/02 | 5 | | 3 | 2 | 5xM5 |
| | | | | | |
| | | | | | |
| | | | | | |
| | | | | | |

+NEW

SVTS B 04



| Model | Number of circuits | | Power | | Terminals Screw connections |
|---------------------|--------------------|--|-------|----|--------------------------------|
| | Total | | 20A | 2A | |
| SVTS B 04-S-A-02/00 | 2 | | 2 | 0 | M4 |
| SVTS B 04-S-A-02/02 | 4 | | 2 | 2 | M4 |
| SVTS B 04-S-A-03/00 | 3 | | 3 | 0 | M4 |
| SVTS B 04-S-A-03/02 | 5 | | 3 | 2 | M4 |
| | | | | | |
| | | | | | |
| | | | | | |
| | | | | | |

All dimensions in millimeters, unless otherwise specified

Specifications subject to change.